



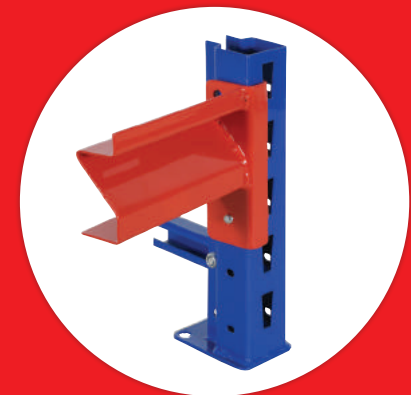
Longspan Racking

If you need a strong, robust and versatile solution, at a competitive price is – then look no further.

The unique fit between the upright and claw gives our longspan racking incredible strength and rigidity. Along with our heavy duty “Z profile” beam which ensures it will meet the most rigorous demands.

All levels come with heavy duty deck supports as standard, this ensures the chipboard shelves carry the same load as the beams. The unique deck support slots into the beam which also eliminates the beams spreading or rotating.

- ★ **Heavy duty Racking system**
Store all your heavy and bulk items with ease
- ★ **Adaptable storage solutions**
Simple to add to, as your storage needs grow
- ★ **Strong “Z” profile beam design**
Unique beam design that offers capacities up to 1200kgs
- ★ **Heavy duty shelf levels**
Shelf levels includes deck supports to match beam capacities
- ★ **Guaranteed delivery in 5 days**
Get your stores organised quickly with no hassle



scan for
videos/assembly



storagecatalogue.co.uk
/longspan

Extremely strong, heavy duty system that's easy to build



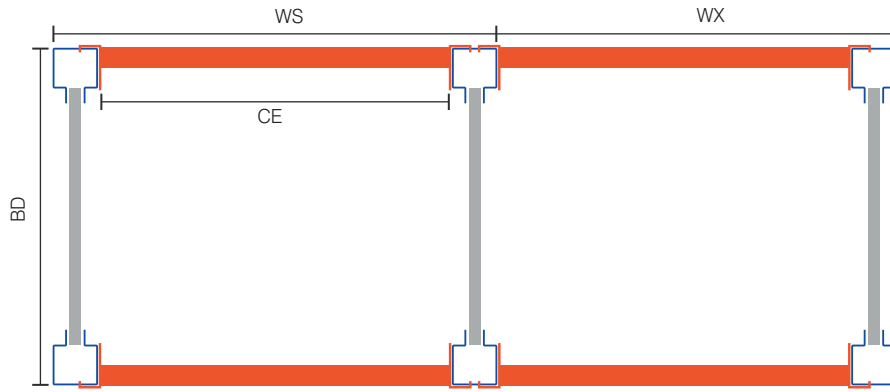
Height	Levels	Shelf Load	Bay Load	Delivery
1830+ mm	2+ Shelves	~950 kg	~5000 kg	5 days



Heights	Widths	Depths	Application	Construction	Loadings
Standard Bay Height (mm) 1830, 2135, 2440, 3050, 3660	Widths (mm) 1220, 1525, 1830, 2135, 2440	Depths (mm) 457, 610, 762, 915, 1220	Environment Warehouse, Storeroom Usage Heavy Duty Racking	Frames: Steel Blue RAL5010 Beams: Steel Orange RAL2002 Shelves: Chipboard	Shelf UDL up to 950kg Max Bay Load 5000kg

Design and plan your Longspan Racking layout

Calculating Exact Dimensions of the Bay & Run of Bays

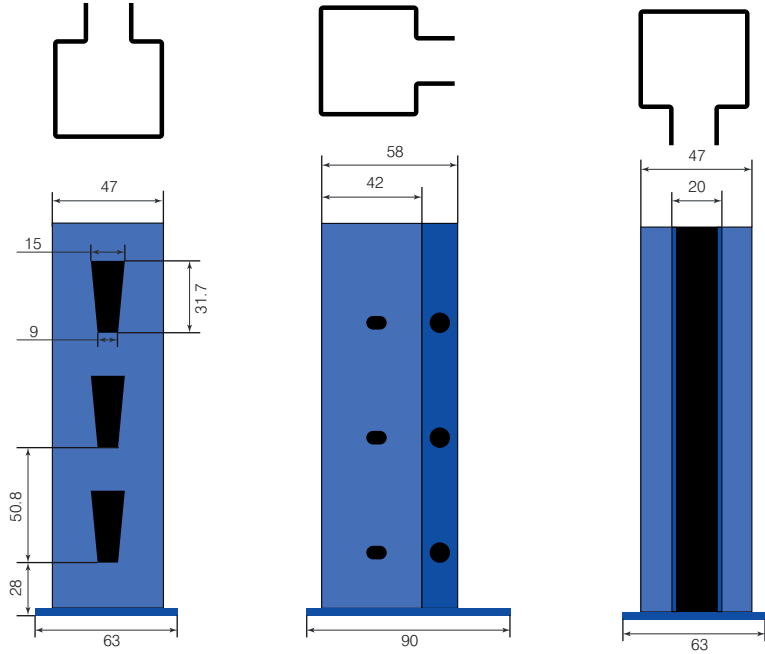


..add 3mm to dimension BD for each claw

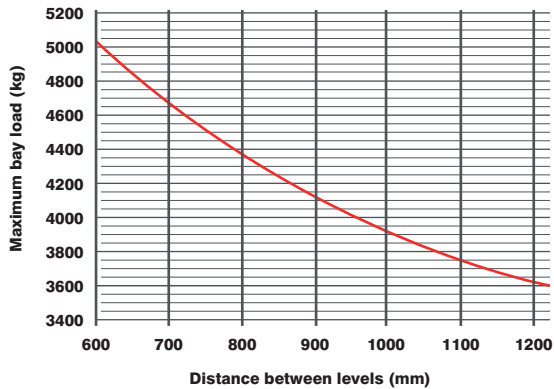
*Nominal Depth (D)	BD Bay Depth	*Nominal Width (W)	CE Clear Entry	WS Starter Bay	WX Extension Bay
457mm	470mm	1220mm	1236mm	1330mm	1283mm
610mm	622mm	1525mm	1540mm	1634mm	1587mm
762mm	774mm	1830mm	1845mm	1939mm	1892mm
915mm	927mm	2135mm	2149mm	2243mm	2196mm
1220mm	1232mm	2440mm	2455mm	2549mm	2502mm

* Dimensions used in price tables

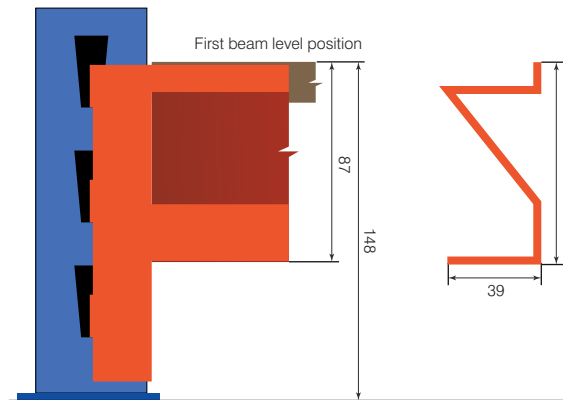
Longspan Upright



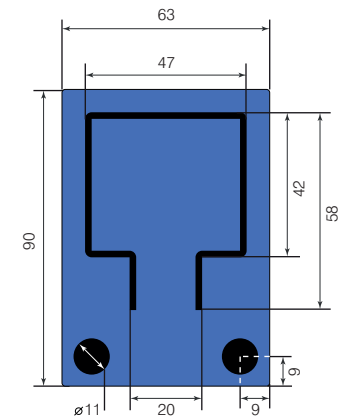
Longspan Bay Loading (kgs)



Beam Position and Pitch



Longspan Footplate



ⓘ Remember, if your shelving's height to depth ratio is greater than 4:1, the bay should be fixed to the floor or to the wall!

Longspan Heavy Duty Racking



Width	Deck Supports
1220mm	3
1525mm	3
1830mm	3
2135mm	4
2440mm	4

Deck supports are supplied on Depth's of 610mm and greater.



Height	Levels	Shelf Load	Bay Load	Delivery
1830+ mm	2+ Shelves	~950 kg	~5000 kg	5 days

from
£33.90
per level

Frames												
Depth - 457mm			Depth - 610mm			Depth - 762mm			Depth - 915mm		Depth - 1220mm	
H (mm)	Frame Code	Frame Price	Frame Code	Frame Price	Frame Code	Frame Price	Frame Code	Frame Price	Frame Code	Frame Price		
1830	LSF/18/04/BE	£39.15	LSF/18/06/BE	£40.55	LSF/18/07/BE	£41.75	LSF/18/09/BE	£43.80	LSF/18/12/BE	£47.00		
2135	LSF/21/04/BE	£45.90	LSF/21/06/BE	£47.75	LSF/21/07/BE	£49.40	LSF/21/09/BE	£52.00	LSF/21/12/BE	£56.00		
2440	LSF/24/04/BE	£53.65	LSF/24/06/BE	£55.80	LSF/24/07/BE	£57.60	LSF/24/09/BE	£60.70	LSF/24/12/BE	£65.40		
3050	LSF/30/04/BE	£68.00	LSF/30/06/BE	£70.90	LSF/30/07/BE	£73.35	LSF/30/09/BE	£77.45	LSF/30/12/BE	£83.75		
3660	LSF/36/04/BE	£75.25	LSF/36/06/BE	£78.50	LSF/36/07/BE	£81.10	LSF/36/09/BE	£85.70	LSF/36/12/BE	£92.70		

Beam Levels																			
Depth - 457mm				Depth - 610mm				Depth - 762mm				Depth - 915mm				Depth - 1220mm			
W (mm)	Level Code	Shelf Load (kg)	Level Price	Level Code	Shelf Load (kg)	Level Price	Level Code	Shelf Load (kg)	Level Price	Level Code	Shelf Load (kg)	Level Price	Level Code	Shelf Load (kg)	Level Price				
1220	LSB/12/04/OR	950	£33.90	LSB/12/06/OR	900	£43.05	LSB/12/07/OR	875	£49.65	LSB/12/09/OR	825	£54.10	LSB/12/12/OR	750	£63.35				
1525	LSB/15/04/OR	850	£39.85	LSB/15/06/OR	800	£53.75	LSB/15/07/OR	775	£59.70	LSB/15/09/OR	725	£63.65	LSB/15/12/OR	675	£74.35				
1830	LSB/18/04/OR	800	£51.90	LSB/18/06/OR	800	£62.95	LSB/18/07/OR	800	£68.40	LSB/18/09/OR	800	£74.15	LSB/18/12/OR	750	£86.10				
2135	LSB/21/04/OR	700	£60.75	LSB/21/06/OR	700	£73.30	LSB/21/07/OR	700	£80.10	LSB/21/09/OR	675	£87.25	LSB/21/12/OR	625	£101.20				
2440	LSB/24/04/OR	600	£68.10	LSB/24/06/OR	600	£82.35	LSB/24/07/OR	575	£90.15	LSB/24/09/OR	550	£98.00	LSB/24/12/OR	525	£112.35				

① **Frame** price includes 2x uprights with all necessary bracing and fixings – requires self assembly. **Beam level** is one complete level that includes 2x beams, chipboard decking, all necessary deck supports and safety pins. (Floor Fixings 'M8x50' / 'M8x70' available on request)

① **Don't require deck supports? Call us for a revised price.**



Automotive storage solutions with Longspan Racking



Standard Longspan Tyre Racks use 457mm deep frames

Tyre Racking Levels (For frames please see p.69)

Width (mm)	Code	Load UDL (kg) per Level	Price per pair
1220mm	LSB/12/OR	950	£28.30
1525mm	LSB/15/OR	850	£34.10
1830mm	LSB/18/OR	800	£40.85
2135mm	LSB/21/OR	700	£45.90
2440mm	LSB/24/OR	600	£52.80

i Price includes 2x beams and safety pins. No decking included!



Width
~2440 mm



2+ Levels



Shelf Load
~950 kg



Bay Load
~5000 kg



Delivery
5 days

from
£28.30
per level

Longspan Divider System



Longspan Divider System 2135 x 1525 x 915

i Remember, if your shelving's height to depth ratio is greater than 4:1, the bay should be fixed to the floor or to the wall!

A heavy duty solution to a garment storage with Longspan



Longspan Centre Garment Rack 2135 x 1525 x 915 with 2 rails



Longspan garment rack 2135 x 1525 x 915 with 2 levels

Centre Garment Hanging Rail (For frames please see p.69)

W (mm)	Code	Load UDL per rail (kg)	Price
1220mm	LS/CGAR12/OR	100	£54.05
1525mm	LS/CGAR15/OR	90	£55.95
1830mm	LS/CGAR18/OR	80	£57.50

① Price includes garment rail, brackets and fixings

Garment Hanging Rail (For frames please see p.69)

W (mm)	Code	Load UDL per rail (kg)	Price
1220mm	LS/GAR12/OR	100	£17.80
1525mm	LS/GAR15/OR	90	£21.30
1830mm	LS/GAR18/OR	80	£24.85

① Price includes 2x garment rails and safety pins.

① For stability and safety, each Longspan bay should have a minimum of 2 levels.

